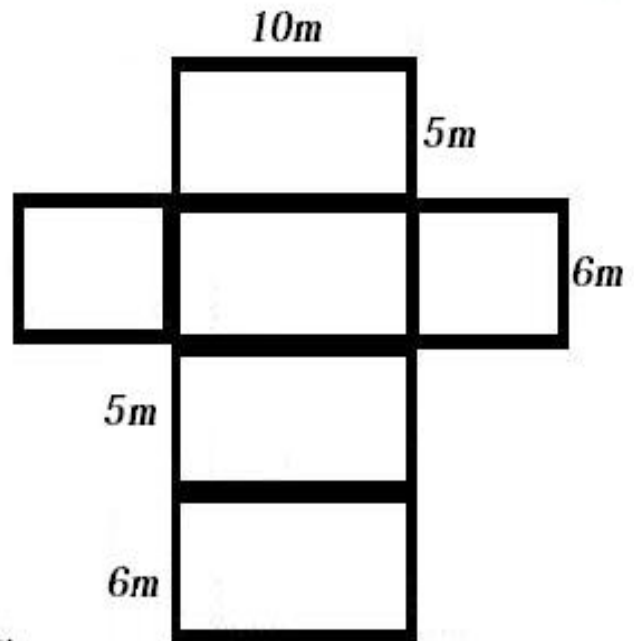
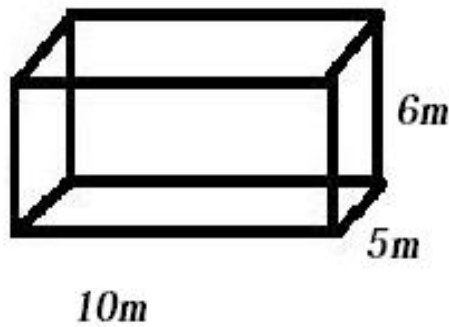


Rectangular Prism



$$l=5m \quad w=10m$$

$$a = l \times w$$

$$a = 5 \times 10$$

$$a = 50m^2$$

$$l=6m \quad w=5m$$

$$a = l \times w$$

$$a = 6 \times 5$$

$$a = 30m^2$$

$$l=6m \quad w=10m$$

$$a = l \times w$$

$$a = 6 \times 10$$

$$a = 60m^2$$

$$TSA = 2(T+F+S)$$

$$TSA = 2(50+60+30)$$

$$TSA = 2(140)$$

$$TSA = 280m^2$$