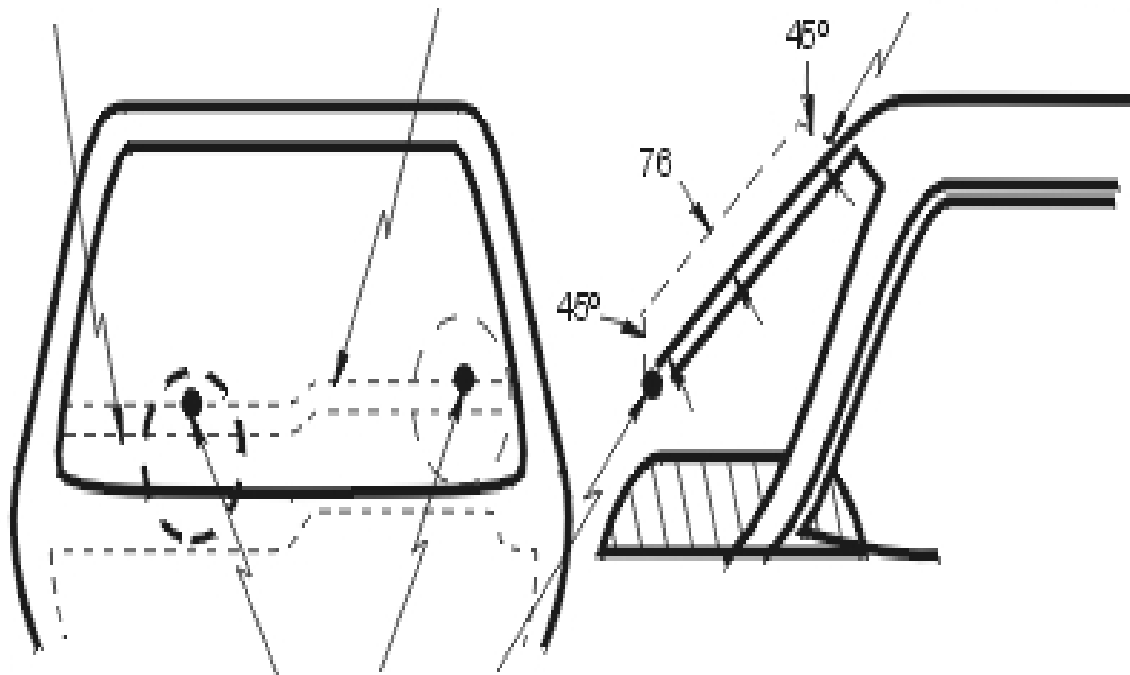


Lower boundary of windshield protected zone

Horizontal extension beyond outer most contactable point

Cross section of protected zone in typical vertical longitudinal plane



Point of contact between sphere and inner space of windshield

FRONT VIEW

SIDE VIEW

Notes:

1. Dimensions in mm
2. Not to scale