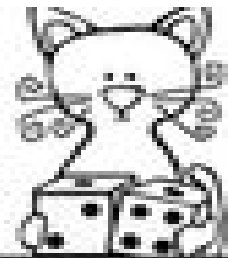










K.OA.A.1

Name: _____

Cool Cat's Button Subtraction

Subtract. Cross out the buttons to find the answer.



 $3 - 2 = 1$	 $5 - 3 = \square$
 $4 - 2 = \square$	 $3 - 1 = \square$
 $5 - 4 = \square$	 $4 - 1 = \square$
 $3 - 0 = \square$	 $5 - 2 = \square$