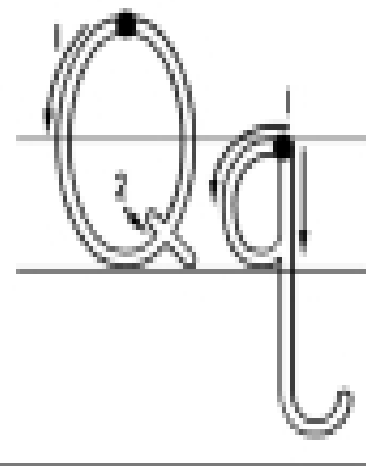


Name and Date _____

Handwriting practice for uppercase letter Q. The first row contains seven outlined Qs for tracing. The second row contains three outlined Qs followed by four empty boxes for independent practice. The third row contains one outlined Q followed by two empty boxes and four dots for independent practice.



Handwriting practice for lowercase letter q. The first row contains twelve outlined qs for tracing. The second row contains three outlined qs followed by ten empty boxes for independent practice. The third row contains one outlined q followed by five empty boxes and five dots for independent practice.