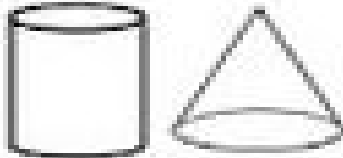
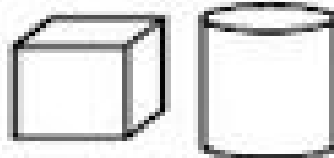
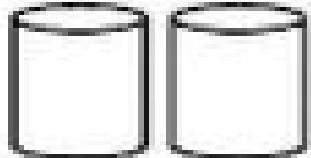
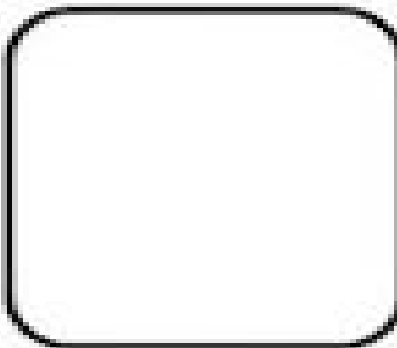
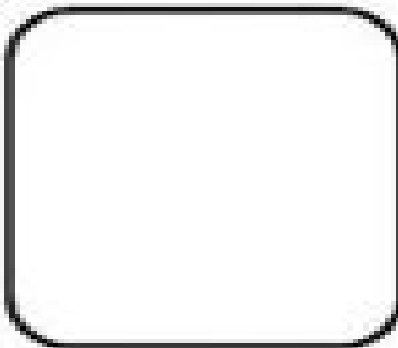
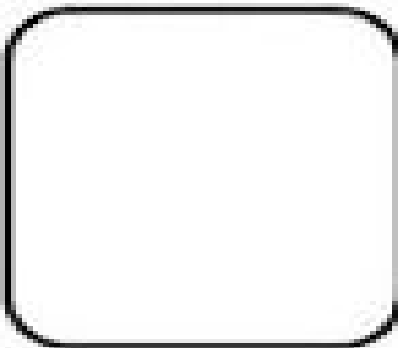



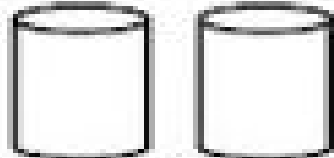
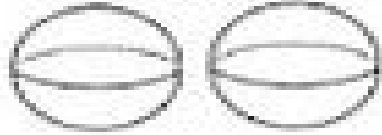
Name _____ Date _____

Building with 3-D Shapes

Directions: Stack the shapes and draw the result in the box.

Directions: Circle "yes" or "no" if these shapes can be stacked.

		
yes no	yes no	yes no

©2013 What 2-013