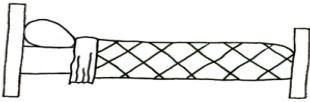
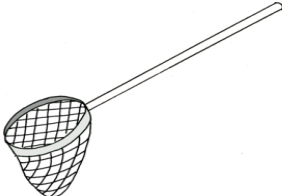


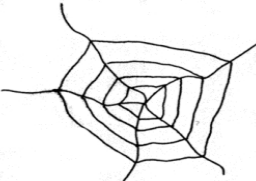
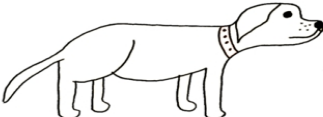




# CVC Words - Initial Sounds (1)

Name: \_\_\_\_\_ Date: \_\_\_\_\_

• Fill in the missing sound in each word...

		
__ e d	__ e t	__ a t
		
__ u g	__ e b	__ o g

• Choose an initial sound to make a word...

__ a d	__ e g	__ i n
__ a m	__ u n	__ e n
__ o t	__ u d	__ i b