
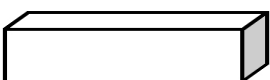






Vowel Phonemes - 'oi'

Name: \_\_\_\_\_

Date: \_\_\_\_\_

- Can you complete the missing sounds for each 'oi' word?

		
<p>_____</p>	<p>__ u b _____</p>	<p>_____ s</p>
		
<p>_____ o n</p>	<p>_____ e t</p>	<p>_____</p>

- Complete and read each word..

<p>s _____ l</p>	<p>b _____ l</p>	<p>j _____ n</p>
<p>a v _____ d</p>	<p>n _____ s e</p>	<p>p _____ n t</p>
<p>s p _____ l</p>	<p>f _____ l</p>	<p>h _____ s t</p>