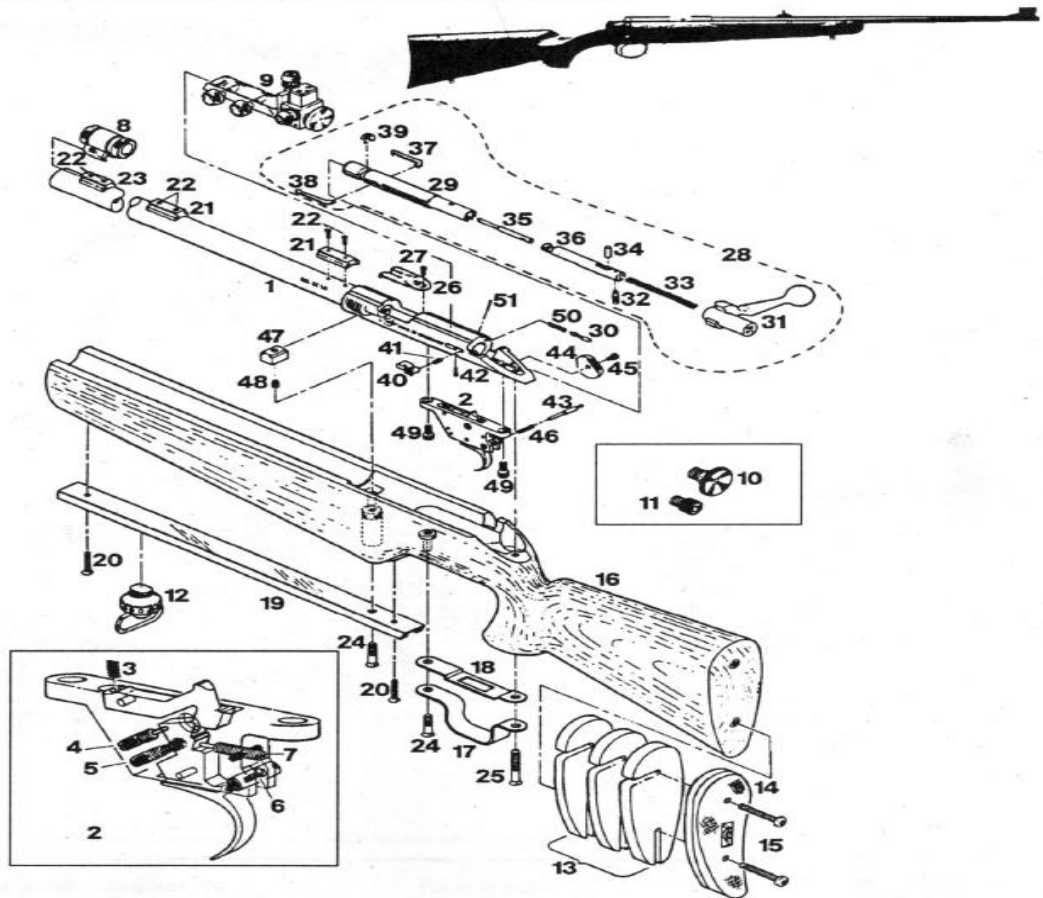


Model 82 U.S. Government Bolt-Action Rifle



KEY

- | | | |
|--------------------------------|-----------------------------|---------------------------------------|
| 1 Receiver and Barrel Assembly | 17 Trigger Guard | 35 Firing Pin |
| 2 Trigger Group Assembly | 18 Trigger Guard Plate | 36 Striker |
| 3 Sear Spring | 19 Hand Stop Rail | 37 Extractor |
| 4 Overtravel Screw | 20 Hand Stop Rail Screws | 38 Helper |
| 5 Trigger Adjustment Screw | 21 Scope Mount Bases | 39 Extractor Spring |
| 6 Safety Adjustment Screw | 22 Base Screws | 40 Bolt-Stop |
| 7 Sear Engagement Screw | 23 Front Sight Base | 41 Bolt-Stop Spring |
| 8 Front Sight Assembly | 24 Front Takedown Screws | 42 Bolt-Stop Screw |
| 9 Rear Sight Assembly | 25 Rear Takedown Screw | 43 Safety Pin |
| 10 Rear Sight Aperture | 26 Loading Platform/Ejector | 44 Safety Disc |
| 11 Rear Sight Adaptor | 27 Loading Platform Screw | 45 Safety Disc Screw |
| 12 Hand Stop Assembly | 28 Bolt Assembly | 46 Safety Pin Spring |
| 13 Buttplate Spacers | 29 Bolt Head | 47 Recoil Lug |
| 14 Buttplate | 30 Bolt Locking Plunger | 48 Recoil Lug Set Screw |
| 15 Buttplate Screws | 31 Bolt Handle | 49 Trigger Housing Screws |
| 16 Stock Assembly | 32 Cocking Stud | 50 Bolt Locking Spring |
| | 33 Mainspring | 51 Bolt Locking Plunger Retaining Pin |
| | 34 Mainspring Pin | |