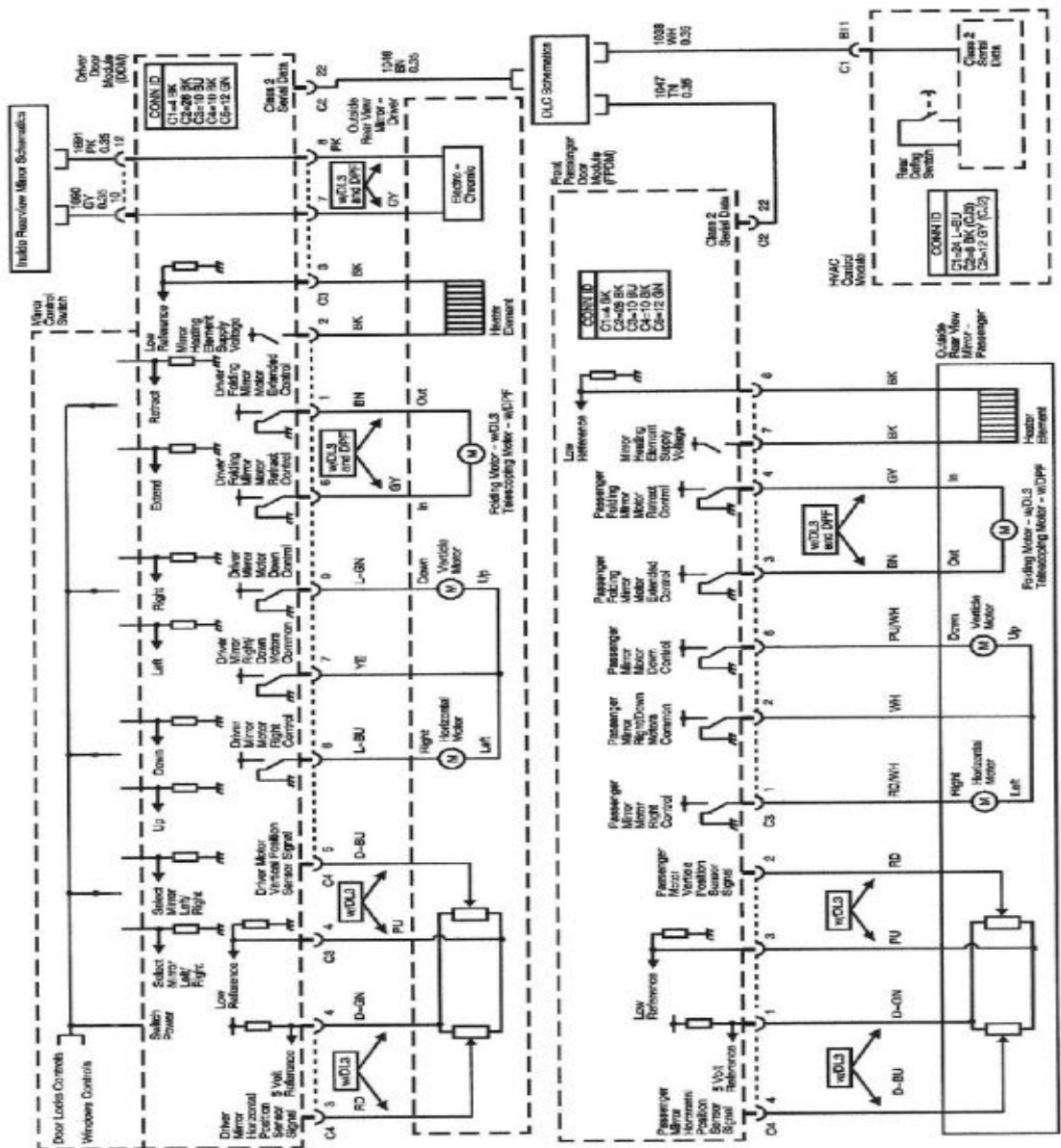


Outside Mirror Schematics



Outside Mirror Diagram