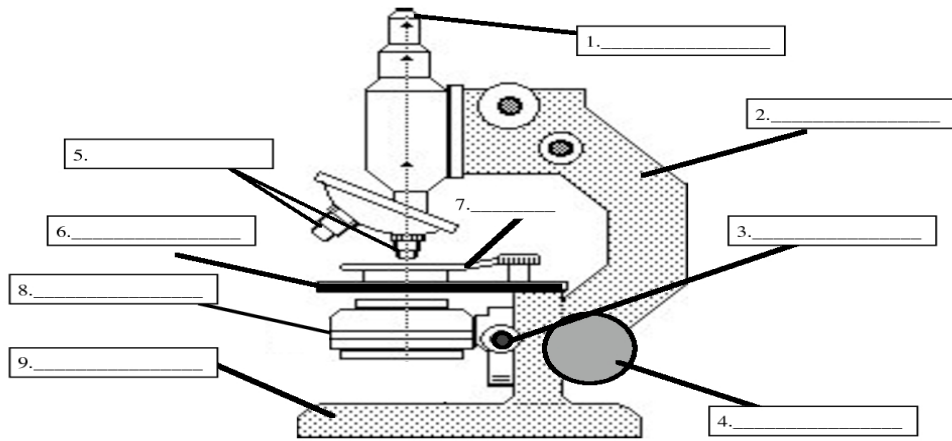


### 7-3 Science Light Microscope Worksheet

Name: \_\_\_\_\_ Period: \_\_\_\_\_ Date: \_\_\_\_\_



1. Label the microscope parts above, and any other parts that you know.
2. How do you make a “wet mount” slide?
3. The image in a microscope appears differently. How is it different?
4. If you would like to move the image of a specimen in a microscope to the left, which way do you move the slide?
5. How many times is a specimen magnified when it is being viewed at low power?