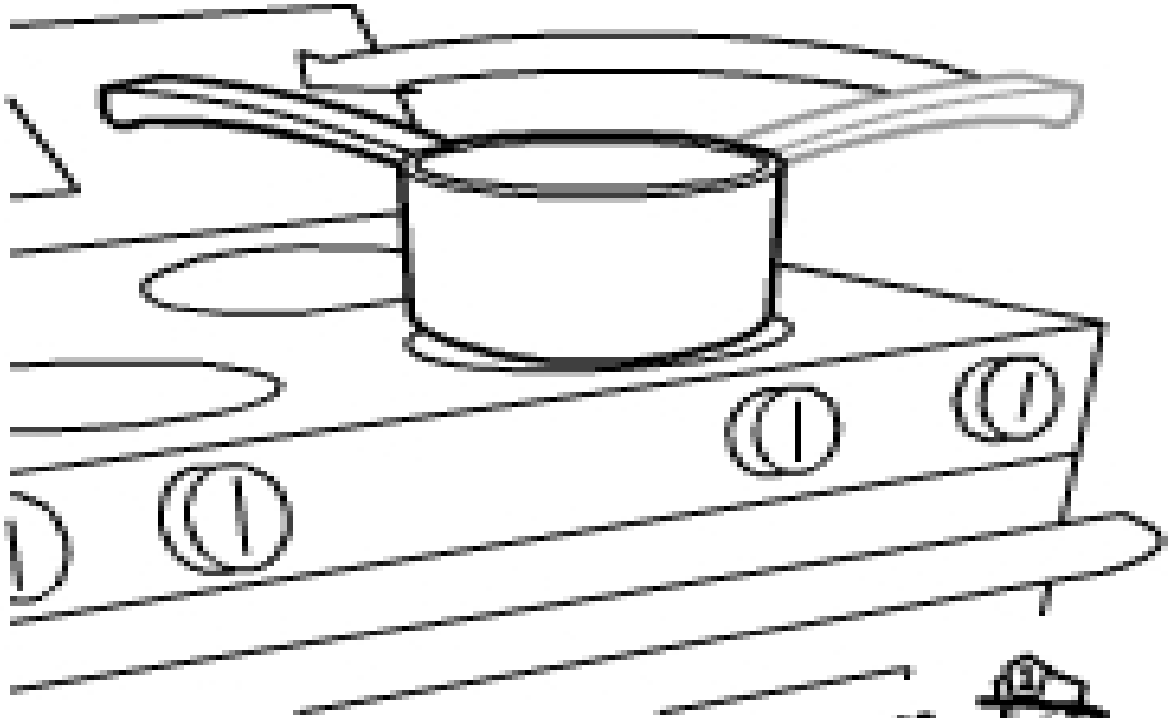




Fire Safety

Name: _____

Color the pot and draw red to show that it is hot.



Safety TIP #11:

When cooking, turn pot handles inward. Never leave a pot handle within reach of children.

