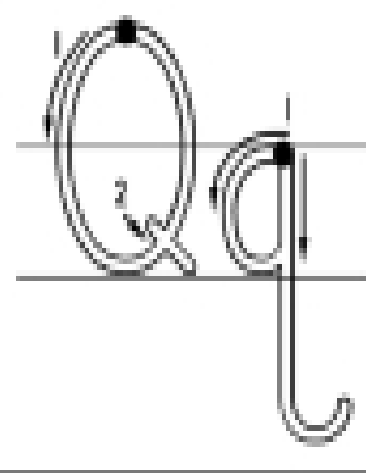


Name and Date \_\_\_\_\_

Handwriting practice for uppercase letter Q. The first row contains seven outlined Qs for tracing, each with a small '1' at the top indicating the starting point. The second row contains three outlined Qs followed by four empty boxes for independent practice. The third row contains one outlined Q followed by two empty boxes and four dots on the baseline to indicate starting points for independent practice.



Handwriting practice for lowercase letter q. The first row contains twelve outlined q's for tracing. The second row contains three outlined q's followed by ten empty boxes for independent practice. The third row contains one outlined q followed by nine empty boxes for independent practice.