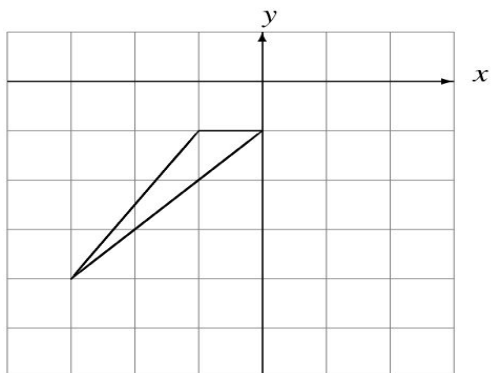


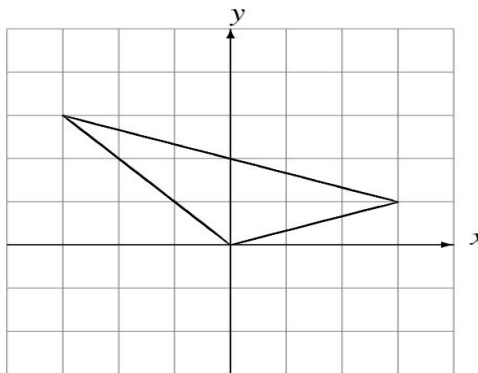
## Translations (E)

Draw each translated image.

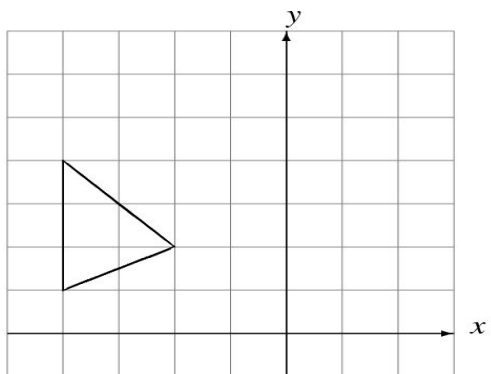
Translate by  $(1, -1)$ .



Translate by  $(0, -2)$ .



Translate by  $(3, 2)$ .



Translate by  $(3, 1)$ .

