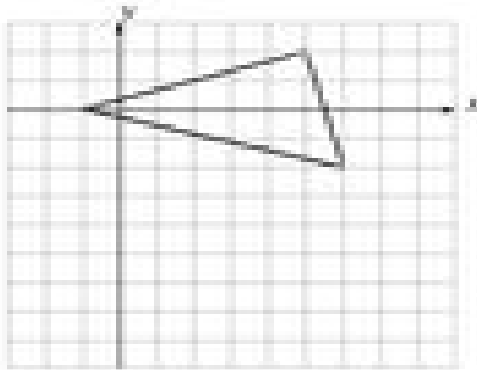


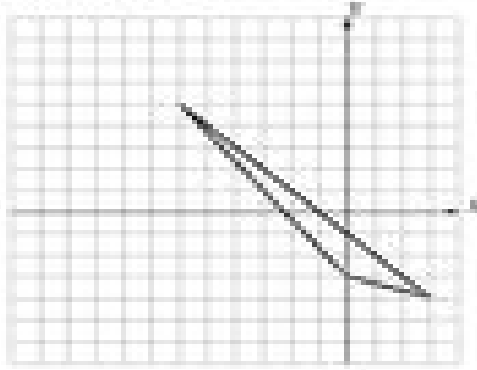
Reflections (A)

Draw the reflected image.

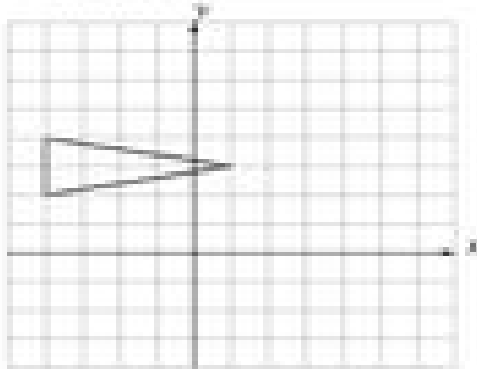
Reflect over $y = 0$.



Reflect over $x = 0$.



Reflect over $x = 0$.



Reflect over $y = 1$.

