
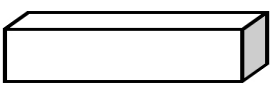






Vowel Phonemes - 'oi'

Name: \_\_\_\_\_

Date: \_\_\_\_\_

- Can you complete the missing sounds for each 'oi' word?

		
<p>_____</p>	<p>__ u b _____</p>	<p>_____ s</p>
		
<p>_____ o n</p>	<p>_____ e t</p>	<p>_____</p>

- Complete and read each word..

<p>s ____ l</p>	<p>b ____ l</p>	<p>j ____ n</p>
<p>a v ____ d</p>	<p>n ____ s e</p>	<p>p ____ n t</p>
<p>s p ____ l</p>	<p>f ____ l</p>	<p>h ____ s t</p>