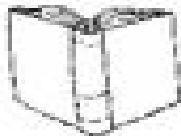
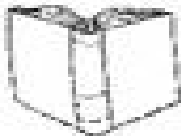

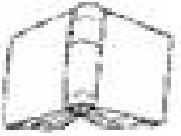


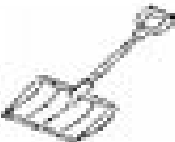












**CHORES**

**SAME/DIFFERENT WORKSHEET**

Look at the picture in the box.  
Circle the picture that looks different.

Name \_\_\_\_\_ Date \_\_\_\_\_