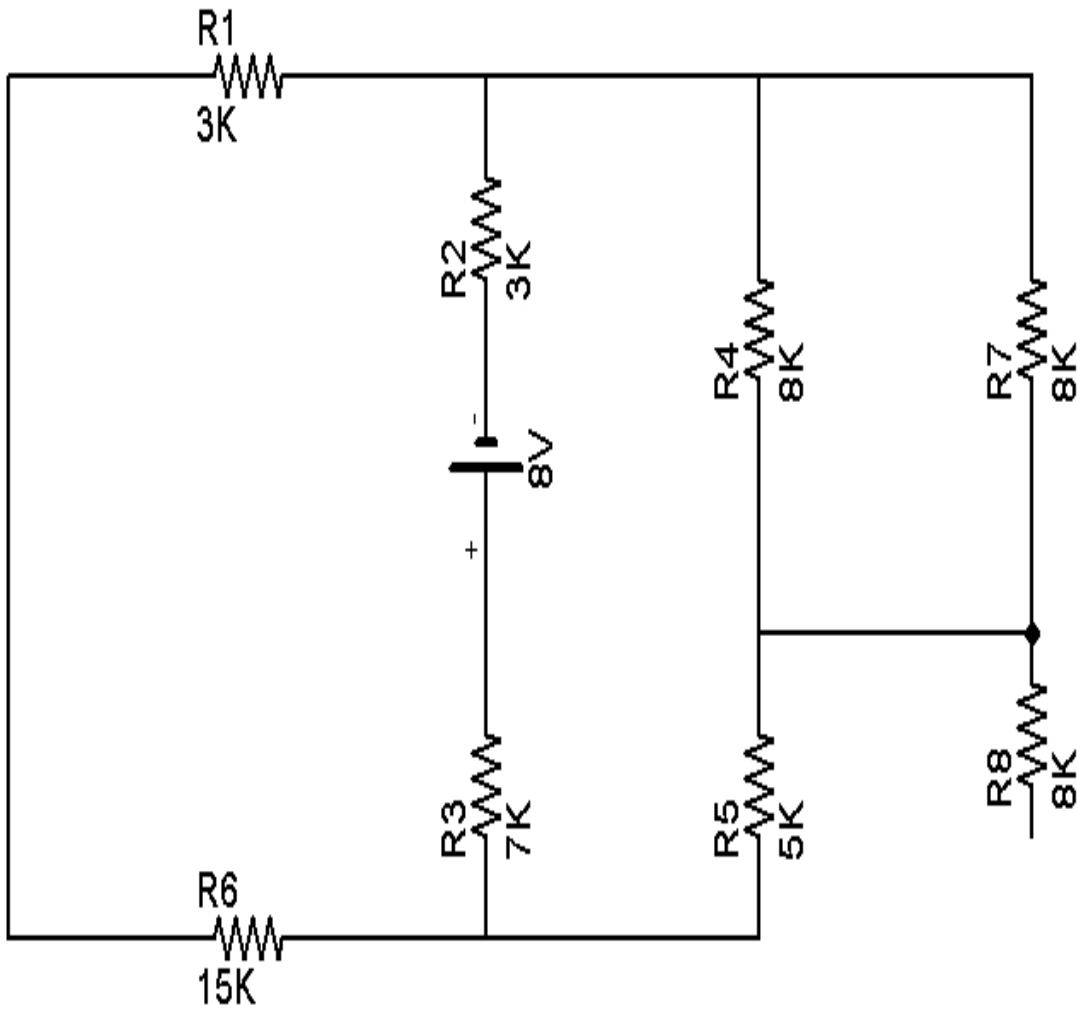


Circuit 2- solve for all values of V, I. Find Ptotal.



Note one end of R8 is not connected, meaning that no current flows

as it is not a complete circuit. Therefore, according to Ohm's law, V_8 must be what?