


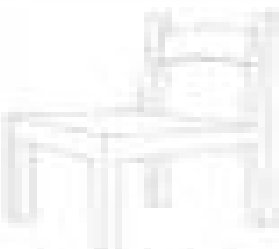




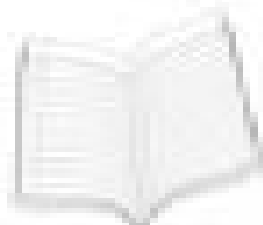


School Objects

Directions: Circle in the caption the word below.

 A briefcase	 A pencil	 A pair of scissors
 A wooden chair	 A pencil sharpener	 A blue crayon
 A purple pencil	 A green chair	 A brown notebook