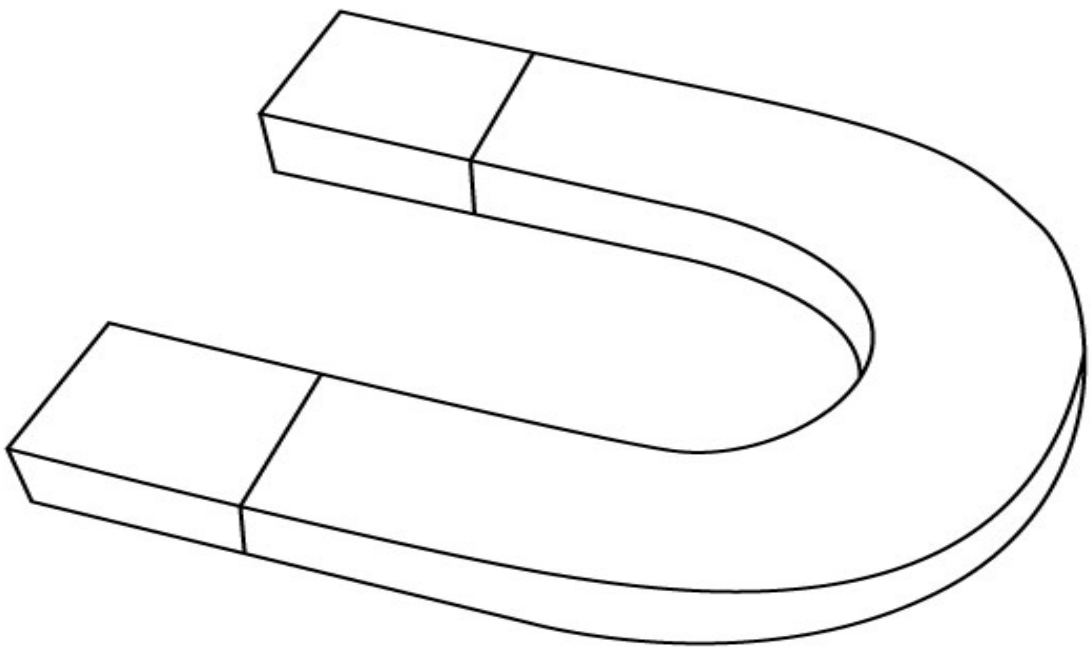


M

**for Magnet**

m



M	M	M	M	M					
---	---	---	---	---	--	--	--	--	--