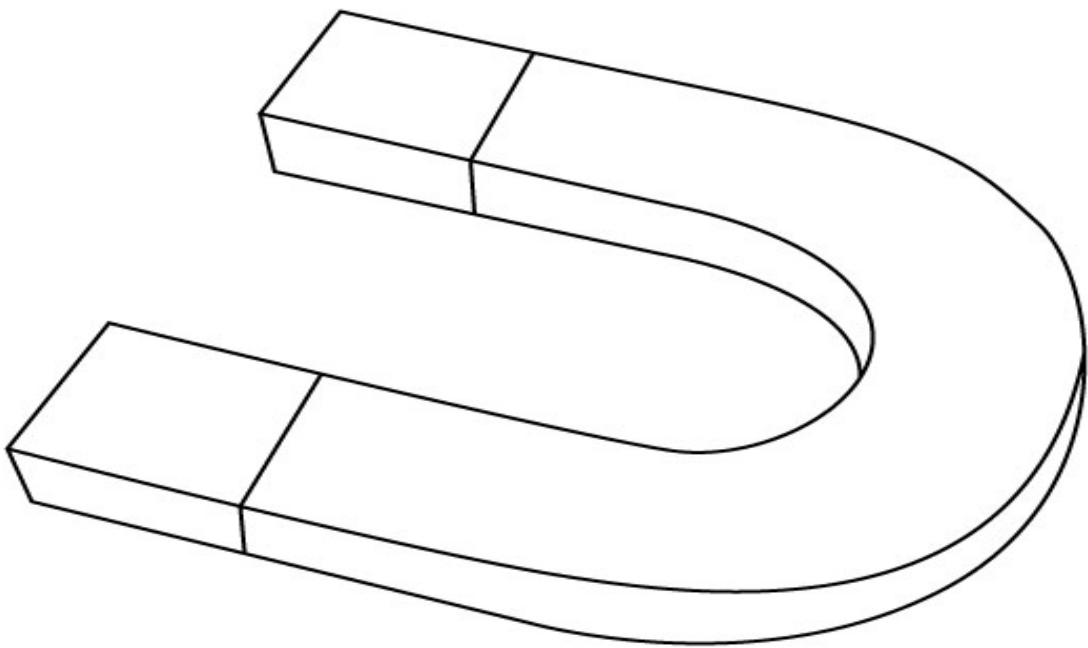


M

for Magnet

m



M	M	M	M	M					
---	---	---	---	---	--	--	--	--	--