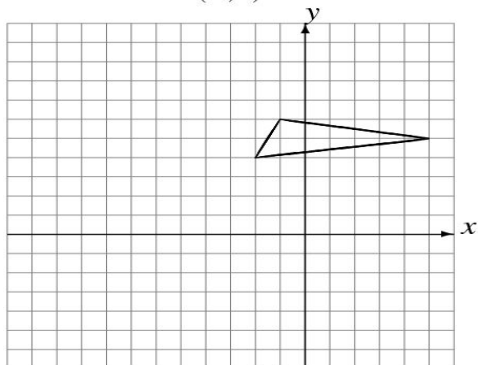


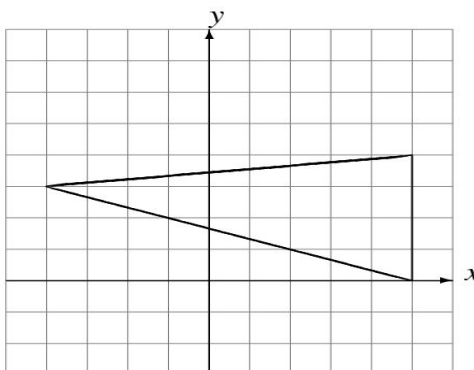
## Rotations (E)

Draw the rotated image.

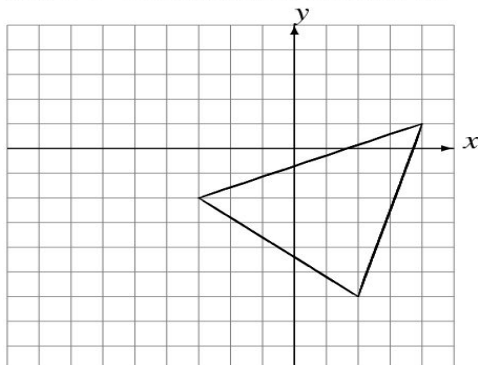
Rotate  $180^\circ$  about  $(-3, 2)$ .



Rotate  $90^\circ$  clockwise about  $(2, 1)$ .



Rotate  $90^\circ$  counterclockwise about  $(-2, -5)$ .



Rotate  $90^\circ$  clockwise about  $(3, 2)$ .

