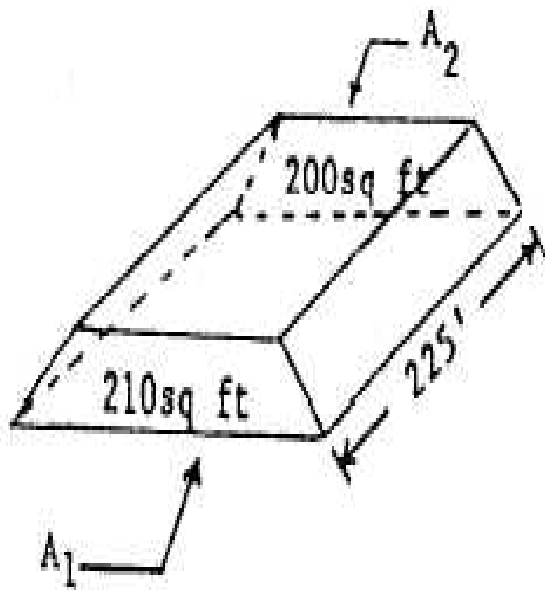


THE FORMULA FOR COMPUTING CUBIC YARDS IS AS FOLLOWS:

$$(A_1 + A_2) 1.85 \times \text{DISTANCE} = \text{CUBIC YARDS}$$



A ₁ = 210	sq ft	
A ₂ = +200	sq ft	
<u>410</u>		
x1.85		FACTOR
<u>2050</u>		
3280		
410		
<u>758.50</u>		
x2.25		DISTANCE
<u>379250</u>		
151700		
<u>151700</u>		
1706.6250		
1706.63		CUBIC YARDS