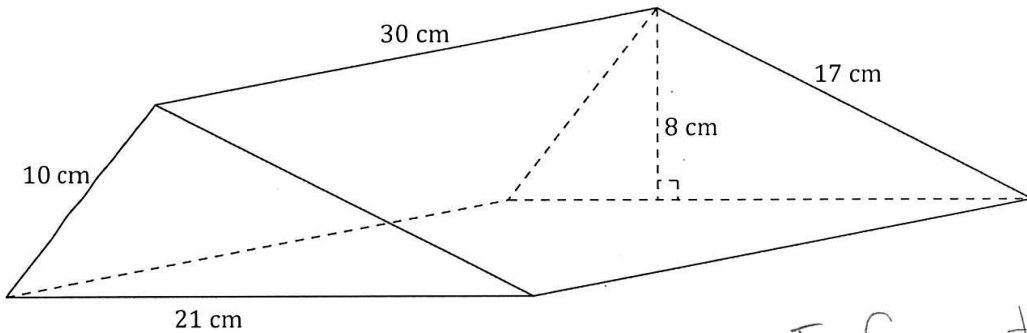


Prismatic Surface Area

Name Sarah Allen Date 2/27/14

Find the surface area of the right triangular prism. Show all work and explain how you found your answer.



$$A = bh$$

$$A = (21)(30)$$

$$A = 630$$

$$A = \frac{1}{2}bh$$

$$A = \frac{1}{2}(8)(21)$$

$$A = \frac{1}{2}168$$

$$A = 84$$

I found this answer by finding the area of all of the shapes, then I added the areas together.

$$S.A. = 630 + 630 + 630 + 84 + 84$$

$$S.A. = 2,058 \text{ cm}$$