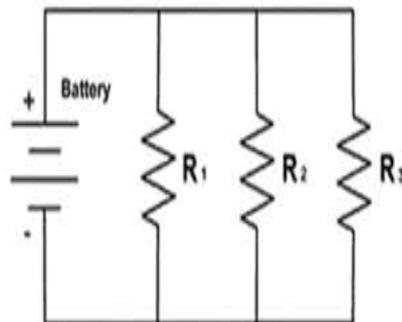


Ohm's Law Problems for Parallel Circuits

Parallel circuits have components arranged in separate loops.



Total Current	$I_{\text{total}} = I_1 + I_2 + I_3 \dots = \text{sum of currents}$
Total Voltage	$V_{\text{total}} = V_1 = V_2 = V_3 = \text{same for each resistor}$
Equivalent Resistance	$\frac{1}{R_{eq}} = \frac{1}{R_1} + \frac{1}{R_2} + \frac{1}{R_3} \dots = \text{reciprocal sum of resistances}$