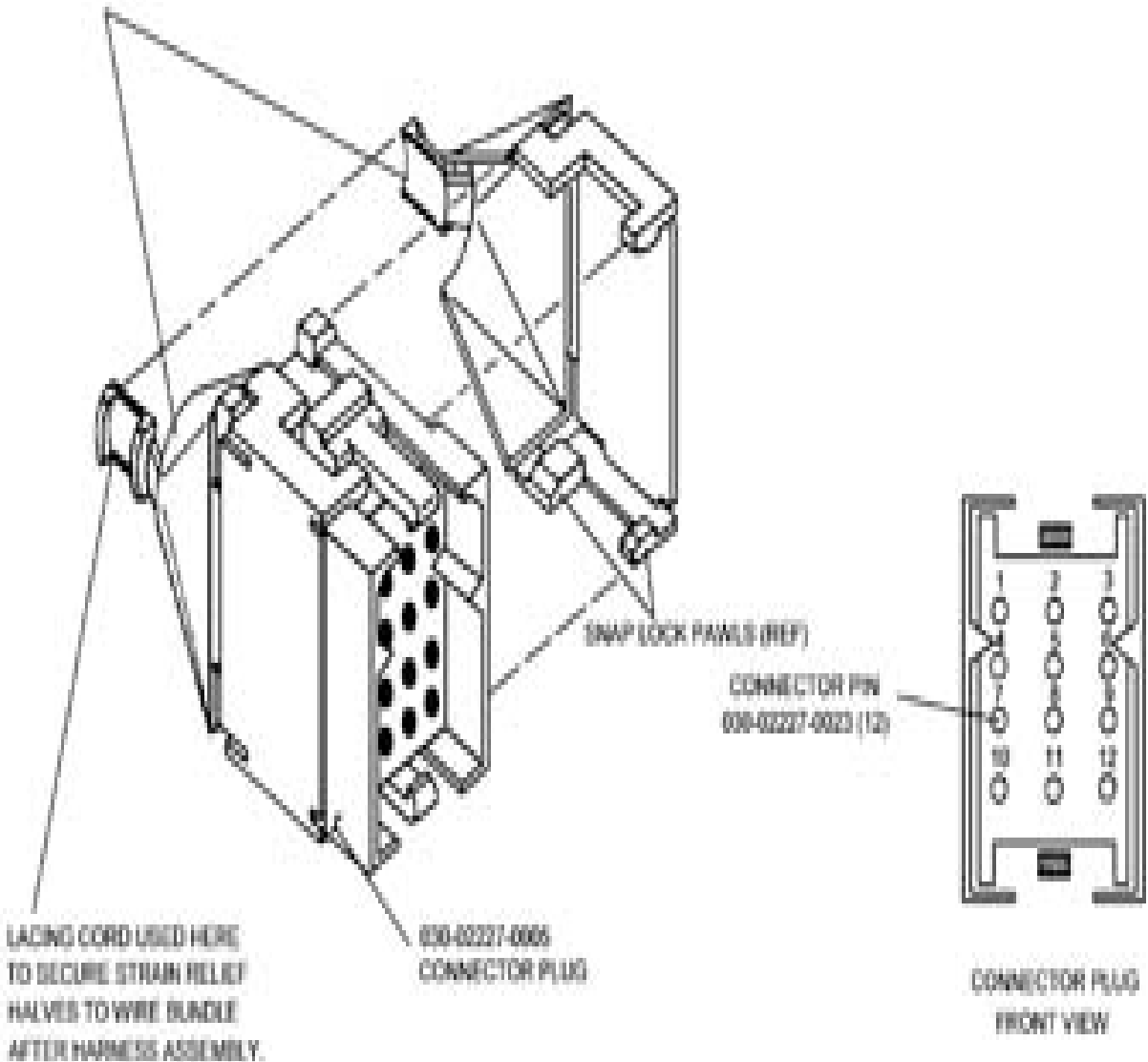


050-02237-0009

STRAIN RELIEF HOOD CONSISTS
OF TWO IDENTICAL MOLDED HALVES.



LACING CORD USED HERE
TO SECURE STRAIN RELIEF
HALVES TO WIRE BUNDLE
AFTER HARNESS ASSEMBLY.

050-02237-0005
CONNECTOR PLUG

SNAP LOCK PAWLS (REF)

CONNECTOR PIN
050-02237-0023 (12)

CONNECTOR PLUG
FRONT VIEW