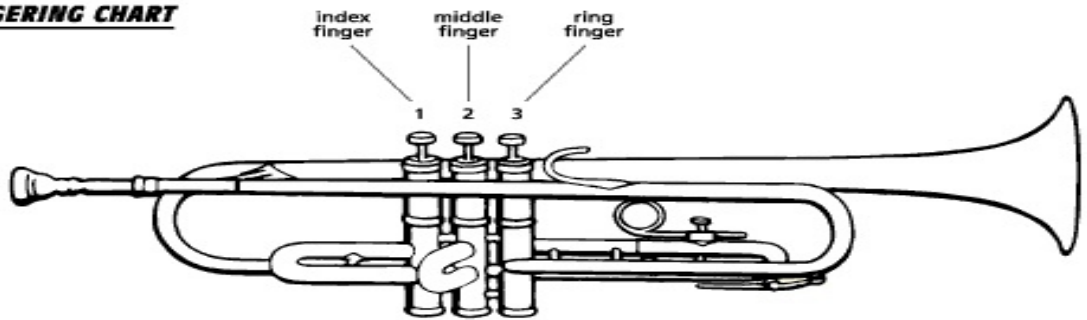


# TRUMPET FINGERING CHART



F# Gb G G# Ab A A# Bb  
 1 2 3 1 3 2 3 1 2 1

B C C# Db D D# Eb  
 2 0 1 2 3 1 3 2 3

E F F# Gb G G# Ab  
 1 2 1 2 0 2 3

A A# Bb B C C# Db  
 1 2 1 2 0 1 2

D D# Eb E F F# Gb G  
 1 2 0 1 2 0

G# Ab A A# Bb B C  
 2 3 1 2 1 2 0