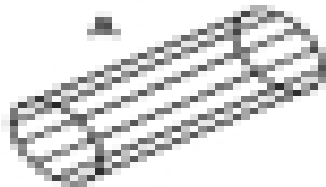
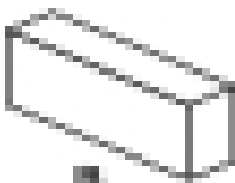
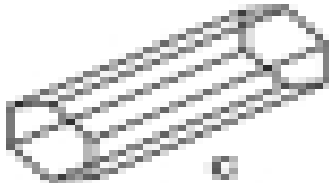
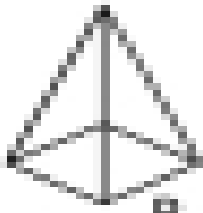
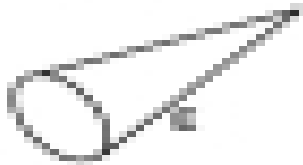
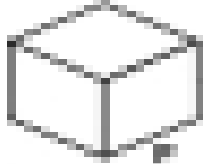
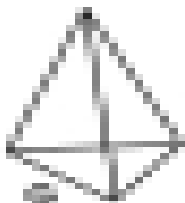
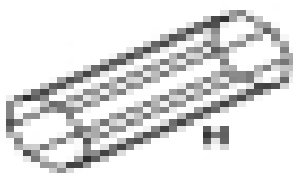


3.11.1. Identifying Solids and Their 2-D Shapes _____ **Level**
_____ **Grade/Year/Level**

Can you identify each of these 3-D shapes? Use the shape to the name.

		<input type="text" value="Cube"/>
		<input type="text" value="Cuboid"/>
		<input type="text" value="Square based Pyramid"/>
		<input type="text" value="Cone"/>
		<input type="text" value="Cylinder"/>
		<input type="text" value="Tetrahedron"/>
		<input type="text" value="Octagonal Prism"/>
		<input type="text" value="Hexagonal Prism"/>