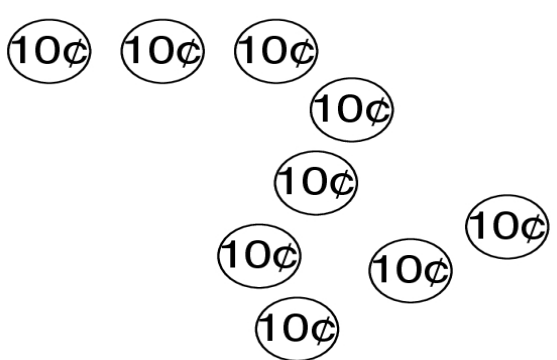
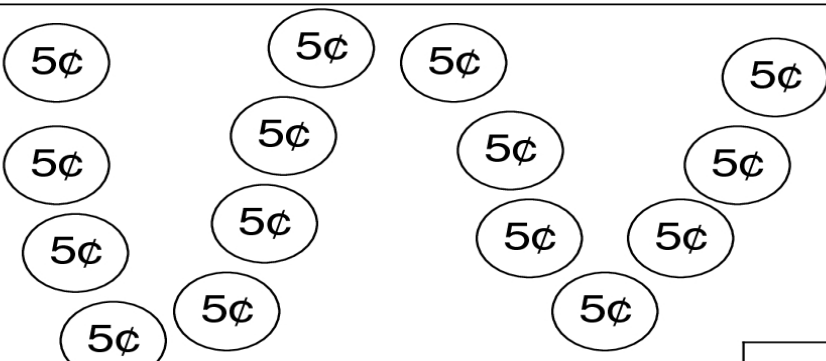


01 Skip Counting Coins 01
Math Workshop-3

Name _____

Use skip counting to add the coins.

 <p>10¢ 10¢ 10¢ 10¢ 10¢ 10¢ 10¢ 10¢ 10¢</p>	<input type="text" value=""/> ¢
 <p>5¢ 5¢ 5¢ 5¢ 5¢ 5¢ 5¢ 5¢ 5¢ 5¢ 5¢ 5¢ 5¢ 5¢ 5¢</p>	<input type="text" value=""/> ¢

G.L.O. - Patterns and Relations (PR1): Create, describe, extend, and explain symbolic (geometric) patterns and addition and subtraction patterns, e.g., 2, 6, 10, ... and 50, 45, 40....