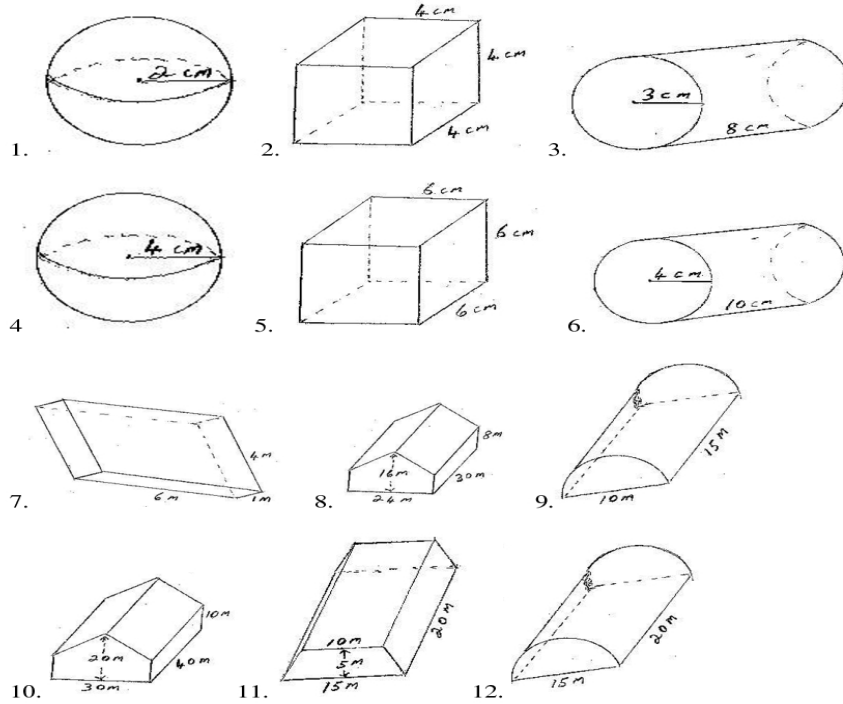


## Measurement Worksheets

### VOLUMES & AREAS

Calculate the volume and surface area of the following figures. They are not drawn to scale.



Answers:

- |  |  |
|--|--|
| 1. $V = 33.5 \text{ cm}^3$ , $A = 50.3 \text{ cm}^2$ ; | 2. $V = 64 \text{ cm}^3$ , $A = 96 \text{ cm}^2$ ;     |
| 3. $V = 226.2 \text{ cm}^3$ , $A = 207.3 \text{ cm}^2$ | 4. $V = 268.1 \text{ cm}^3$ , $A = 201.1 \text{ cm}^2$ |
| 5. $V = 216 \text{ cm}^3$ , $A = 216 \text{ cm}^2$     | 6. $V = 502.7 \text{ cm}^3$ , $A = 351.9 \text{ cm}^2$ |
| 7. $V = 24 \text{ m}^3$ , $A = 68 \text{ m}^2$         | 8. $V = 8640 \text{ m}^3$ , $A = 2641.3 \text{ m}^2$   |
| 9. $V = 589.0 \text{ m}^3$ , $A = 464.2 \text{ m}^2$   | 10. $V = 18000 \text{ m}^3$ , $A = 4342.2 \text{ m}^2$ |
| 11. $V = 1250 \text{ m}^3$ , $A = 848.6 \text{ m}^2$   | 12. $V = 1767.1 \text{ m}^3$ , $A = 947.9 \text{ m}^2$ |