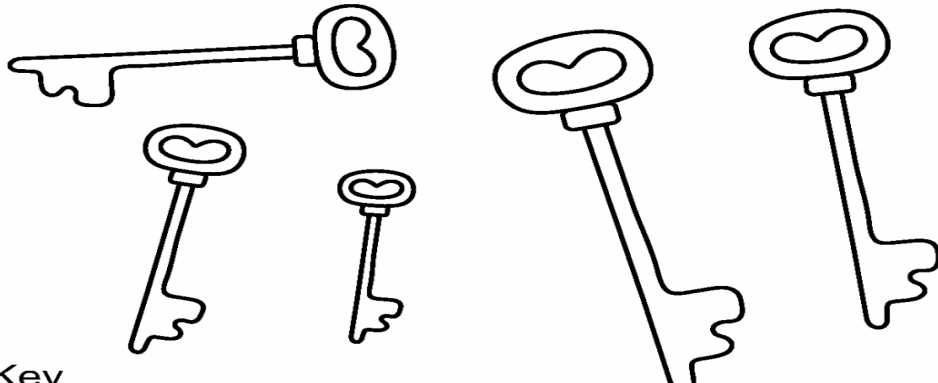


Name :	Date :	Teacher's Signature :	<b>WORK SHEET 11</b>
Class:	Theme: Largest Objects		

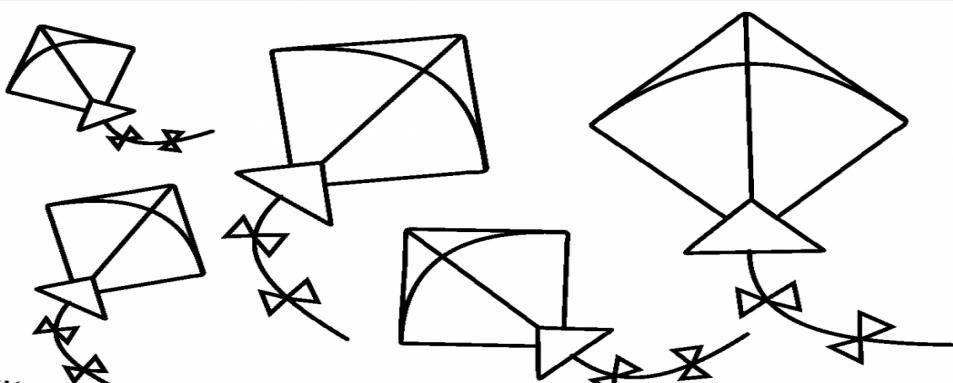
## Largest Objects

Colour the largest object in each box.



Key

---



Kite

Teacher's Comment \_\_\_\_\_ 