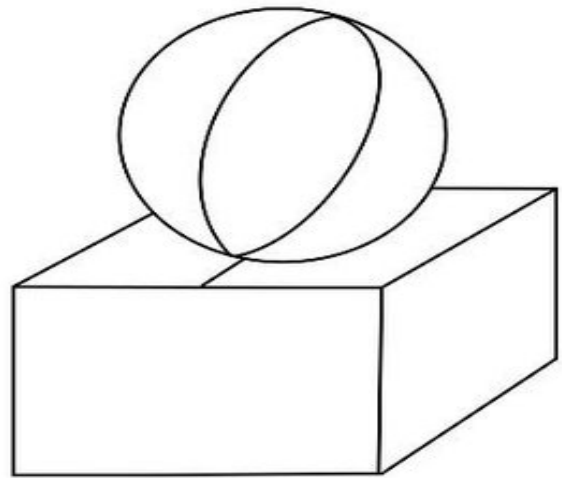
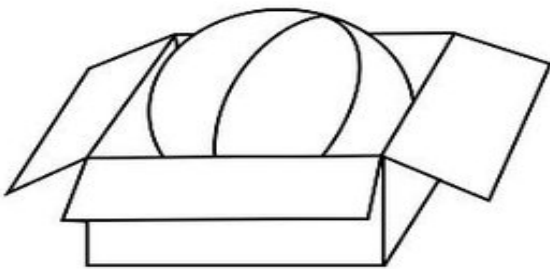


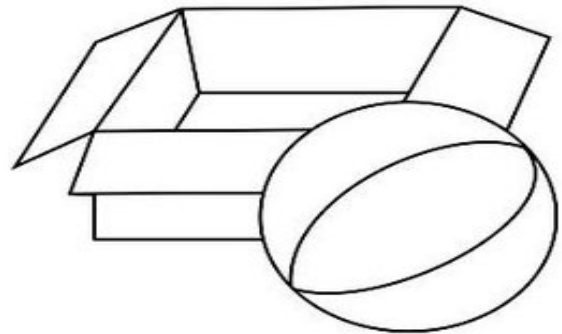
Circle the correct word below
(in, on, by).



The ball is (in, on, by) the
box.



The ball is (in, on, by) the
box.



The ball is (in, on, by) the
box.