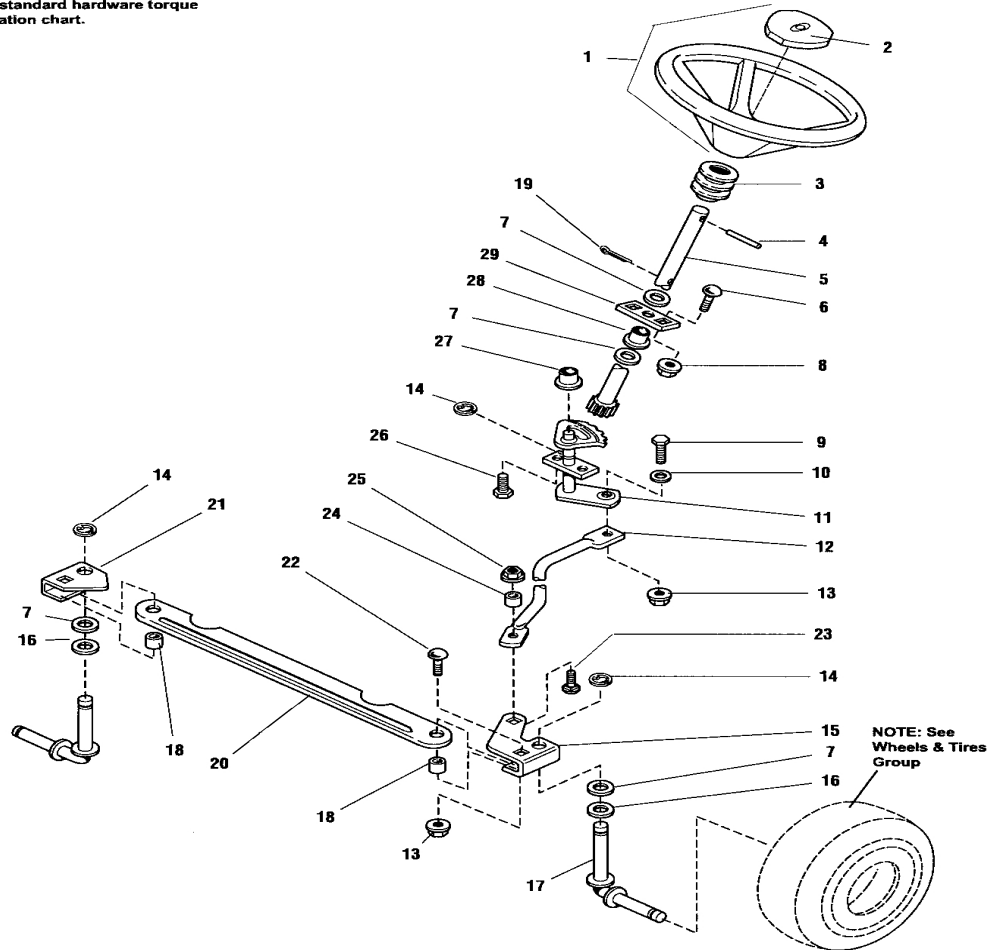


NOTE: Unless noted otherwise, use the standard hardware torque specification chart.



The above parts group applies to the following Mfg. Nos.:

1693074	Regent 14G	1693086	Regent 16G	1693098	516H, 16H	1693325	Regent 14H	1693339	514G, 14G	1693349	2516H, 16H
1693076	Regent 14G	1693088	Regent 16H	1693100	2514G, 14G	1693329	Regent 16H	1693341	514H, 14H		
1693080	Regent 14H	1693090	Regent 16H	1693102	2514H, 14H	1693331	Regent 14G	1693343	516H, 16H		
1693082	Regent 14H	1693092	514G, 14G	1693104	2516H, 16H	1693333	Regent 14H	1693345	2514G, 14G		
1693084	Regent 16G	1693094	514H, 14H	1693323	Regent 14G	1693337	Regent 16H	1693347	2514H, 14H		