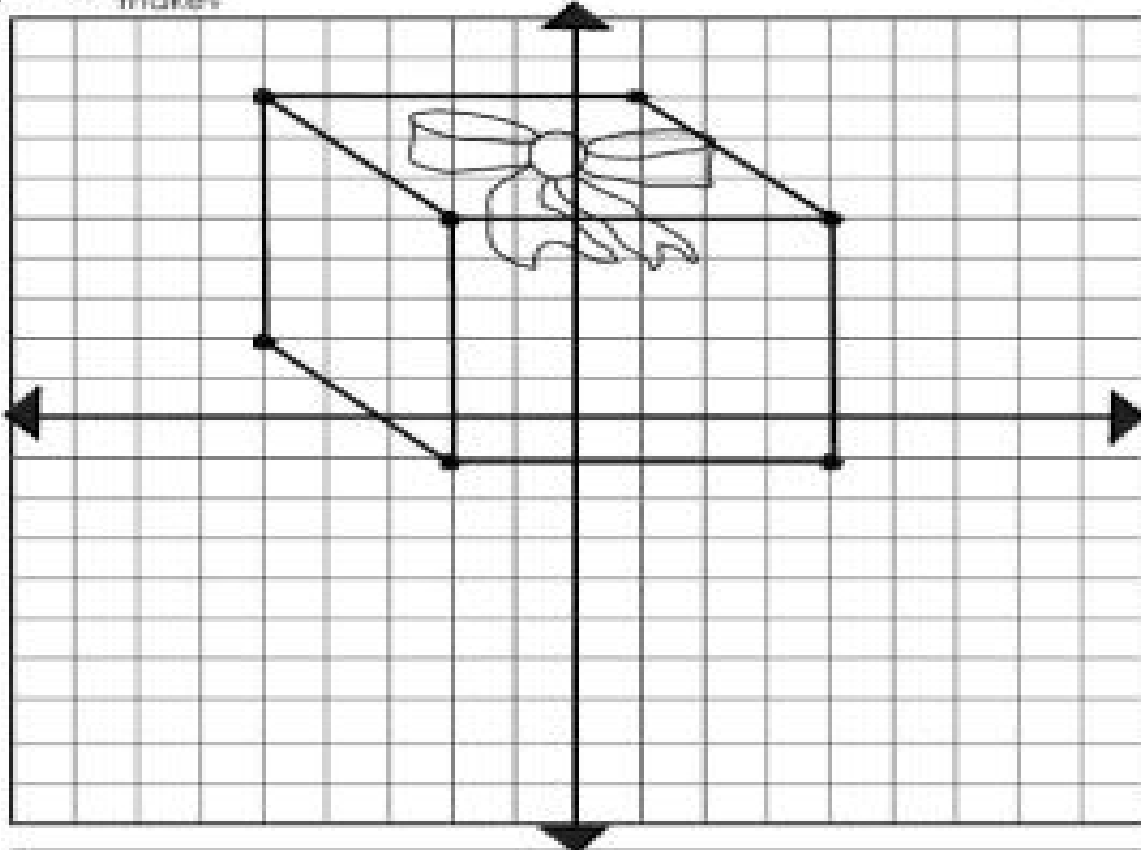




What Am I?

Name _____

Find the coordinates in the box and connect them. What do you make?



Find and connect the (x,y) coordinates.

A. (-1, 8)

E. (-5, 2)

B. (4, 3)

F. (-3, 8)

C. (4, -1)

G. (2, 3)

D. (-2, -1)

connect F to A, and G to B.