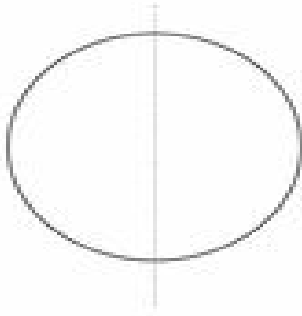
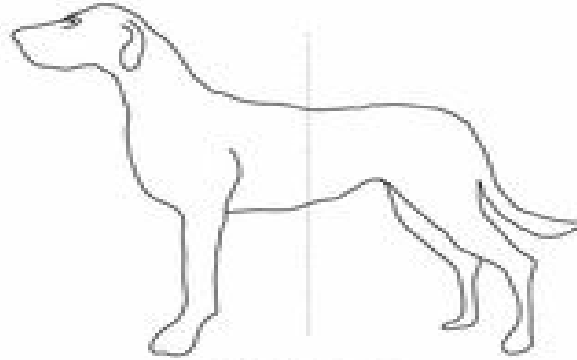


# SYMMETRY

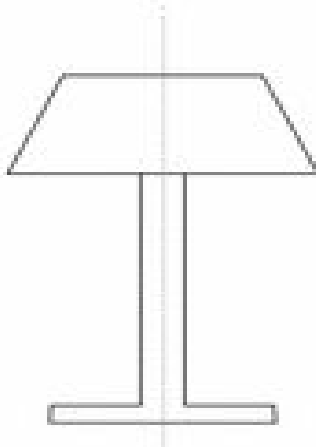
Symmetry is when both sides of something are the same.



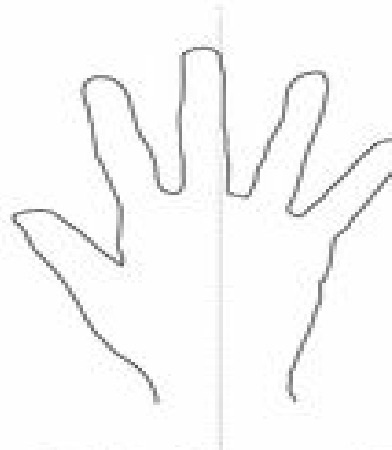
A circle is symmetrical.



A dog is not.



Is this lamp symmetrical?



Is this hand symmetrical?