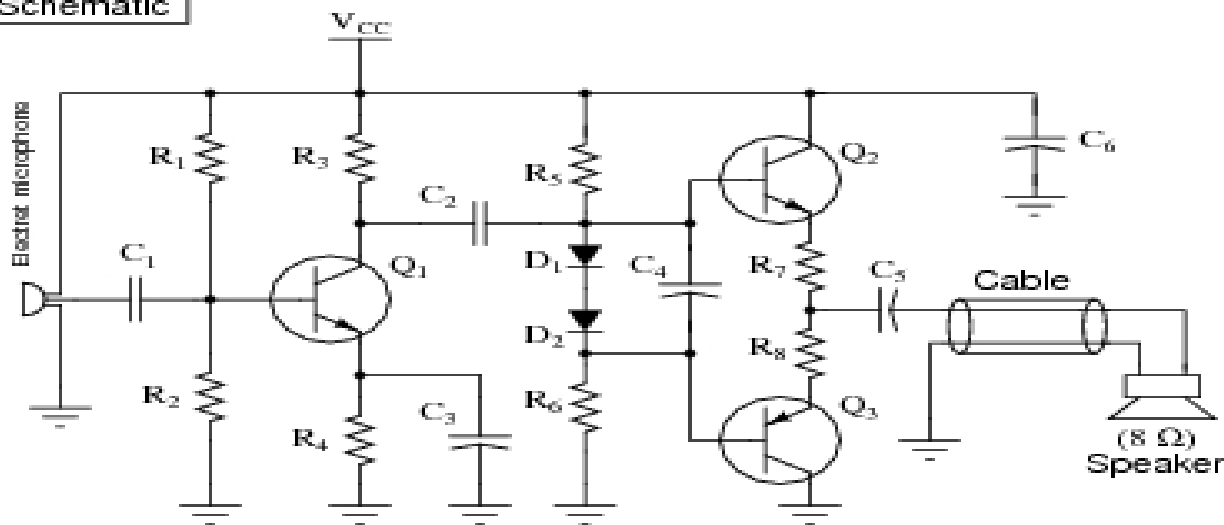
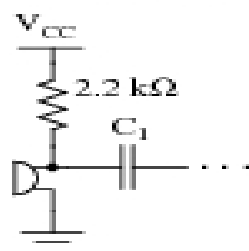


Schematic



Two-wire electret microphone schematic



Given component values

- | | |
|---------------|---------------|
| $C_1 = C_2 =$ | $R_1 =$ |
| $C_3 = C_4 =$ | $R_2 =$ |
| $C_5 =$ | $R_3 =$ |
| $C_6 =$ | $R_4 =$ |
| $V_{CC} =$ | $R_5 = R_6 =$ |
| | $R_7 = R_8 =$ |

Fault analysis

Suppose component fails open other _____
 shorted
 What will happen in the circuit?